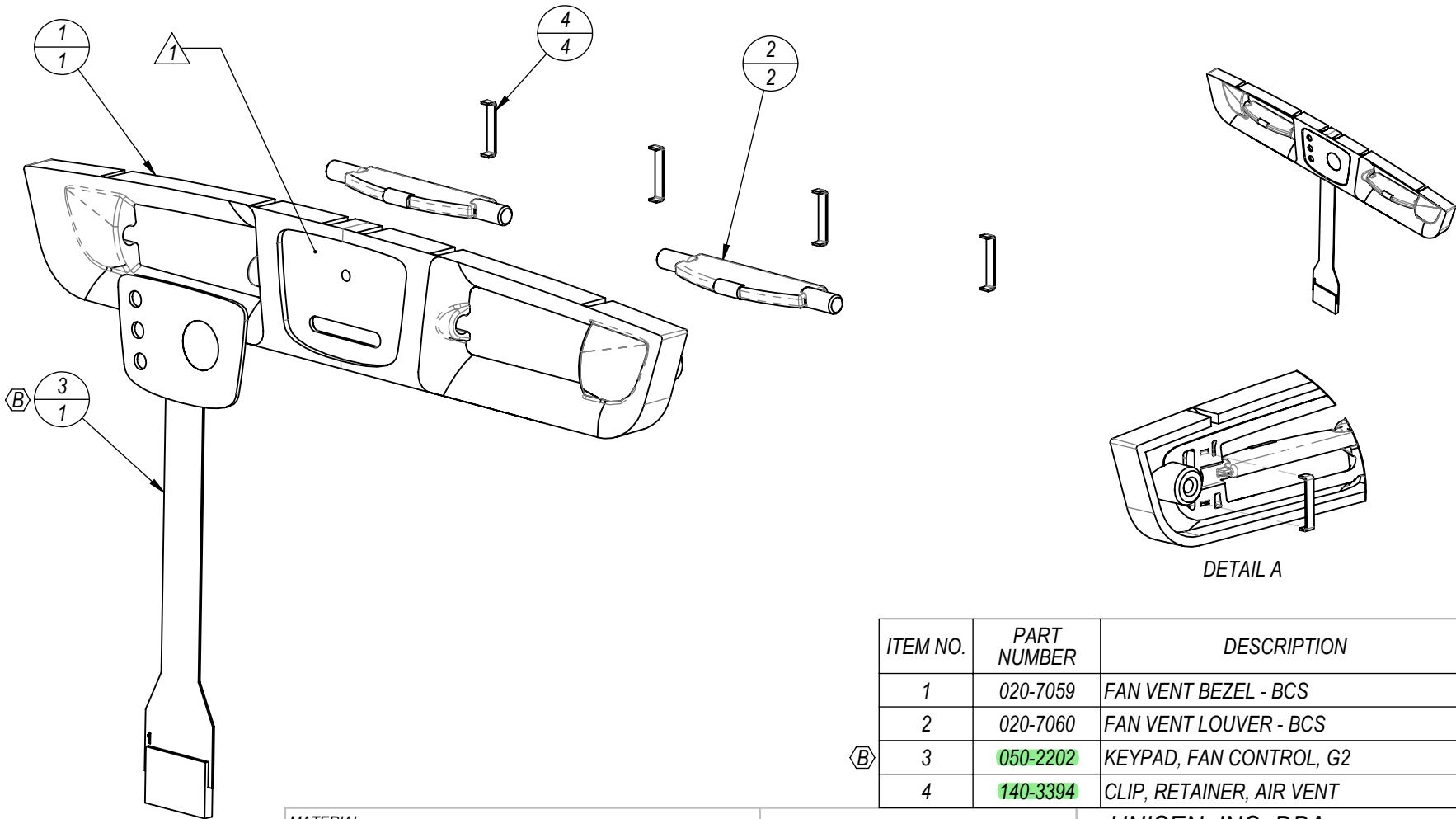


**NOTES:**

1. CLEAN SURFACE WITH ISOPROPYL ALCOHOL & LET DRY BEFORE APPLICATION OF KEYPAD.

REVISIONS				
REV.	DATE	DESCRIPTION	ECO	BY
A	03-16-07	RELEASE FOR PRODUCTION	11562	RLH
B	01-04-11	REPLACE P/N: 050-2026 WITH P/N: 050-2202	13469	SJK



ITEM NO.	PART NUMBER	DESCRIPTION	QTY.
1	020-7059	FAN VENT BEZEL - BCS	1
2	020-7060	FAN VENT LOUVER - BCS	2
(B) 3	050-2202	KEYPAD, FAN CONTROL, G2	1
4	140-3394	CLIP, RETAINER, AIR VENT	4

**DOCUMENT STATUS:**

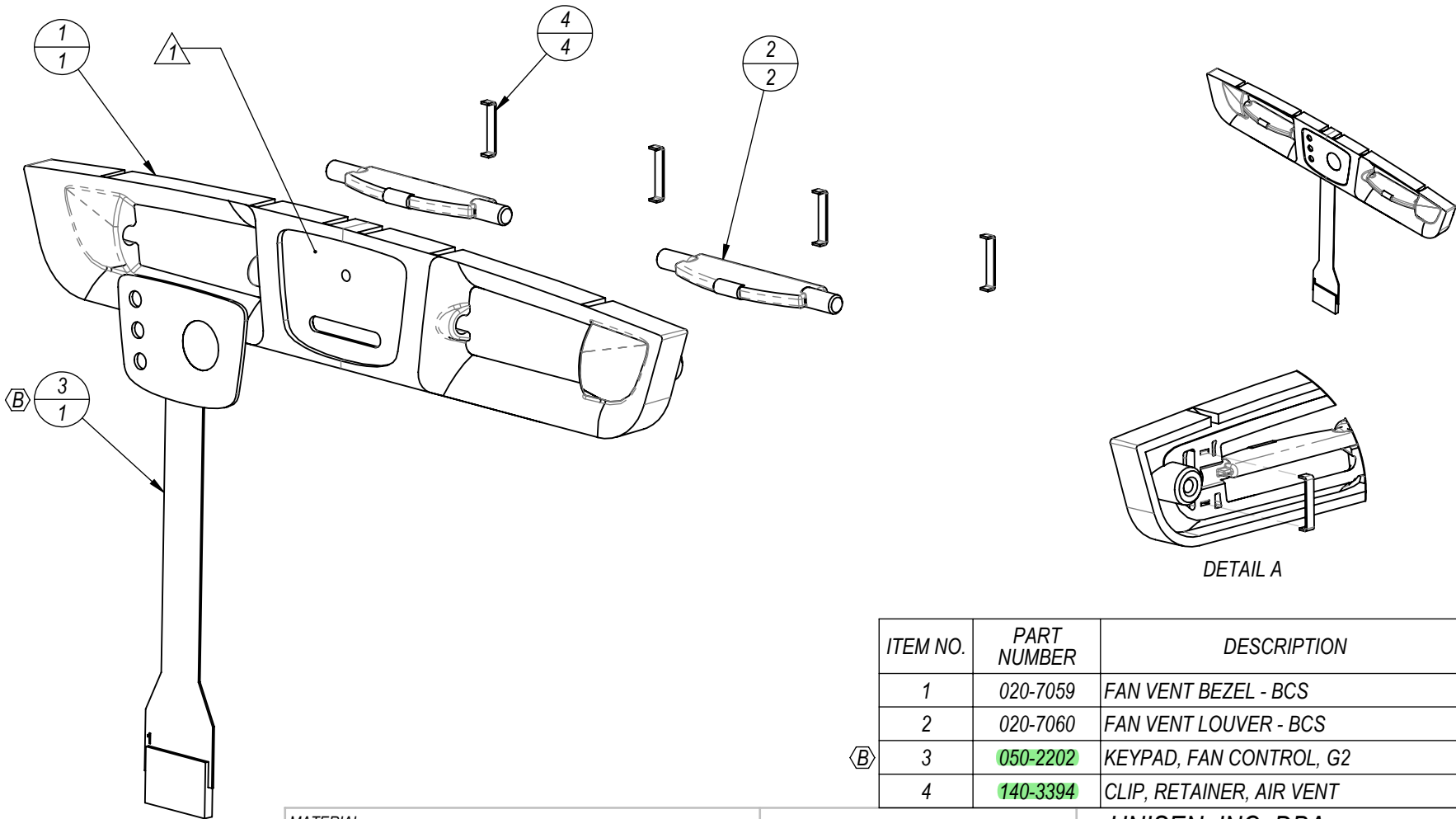
MATERIAL SEE BOM	TOLERANCES UNLESS OTHERWISE SPECIFIED		<b>UNISEN, INC. DBA</b>  14410 Myford Road Irvine CA 92606
	X.XXX = ± .010" (0.25MM)	ANGLES = ± 2°	
FINISH NONE	X.XX = ± .030" (0.76MM)	FRACTIONS = ± 1/32	STARTRAC PART NO <b>715-3651</b>
	X.X = ± .050" (1.27MM)		REV <b>B</b>
VENDOR: N/A	P/N: N/A	INITIAL DATE DRAWN SJK 12/2/06	TITLE <b>ASSY, AIR VENT, BCS</b>
		CHECKED	SCALE: 1:1.5   SHEET 1 OF 1   SHEET SIZE: A
		APPROVED	
		U.O.M.	

NOTICE OF PROPRIETARY INFORMATION  
 THIS DOCUMENT SHALL NOT BE REPRODUCED NOR SHALL THE INFORMATION CONTAINED HEREIN BE USED BY OR DISCLOSED TO OTHER EXCEPT AS EXPRESSLY AUTHORIZED BY UNISEN

**NOTES:**

1. CLEAN SURFACE WITH ISOPROPYL ALCOHOL & LET DRY BEFORE APPLICATION OF KEYPAD.

REVISIONS				
REV.	DATE	DESCRIPTION	ECO	BY
A	03-16-07	RELEASE FOR PRODUCTION	11562	RLH
B	01-04-11	REPLACE P/N: 050-2026 WITH P/N: 050-2202	13469	SJK



ITEM NO.	PART NUMBER	DESCRIPTION	QTY.
1	020-7059	FAN VENT BEZEL - BCS	1
2	020-7060	FAN VENT LOUVER - BCS	2
(B) 3	050-2202	KEYPAD, FAN CONTROL, G2	1
4	140-3394	CLIP, RETAINER, AIR VENT	4

**DOCUMENT STATUS:**

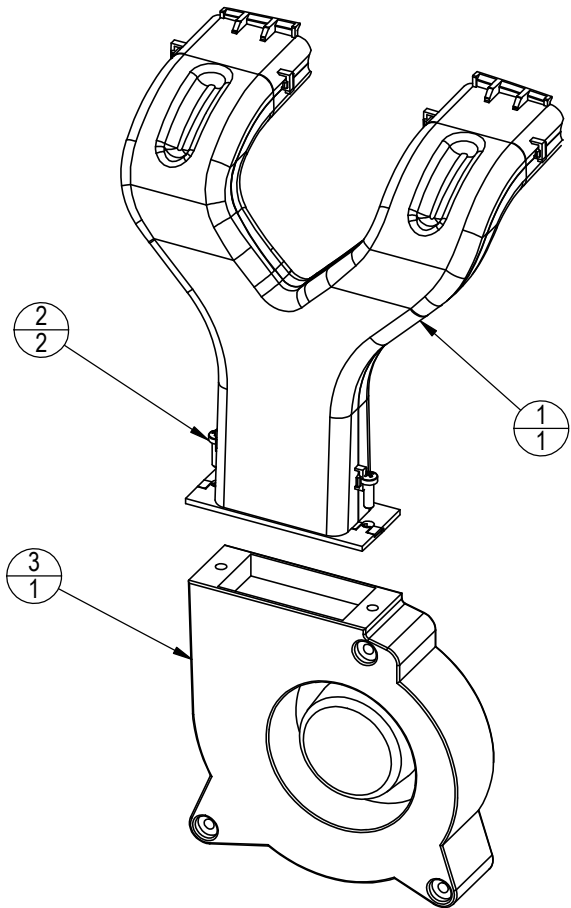
MATERIAL SEE BOM	TOLERANCES UNLESS OTHERWISE SPECIFIED		<b>UNISEN, INC. DBA</b>  14410 Myford Road Irvine CA 92606
	X.XXX = ± .010" (0.25MM)	ANGLES = ± 2°	
FINISH NONE	X.XX = ± .030" (0.76MM)	FRACTIONS = ± 1/32	STARTRAC PART NO <b>715-3651</b>
	X.X = ± .050" (1.27MM)		REV <b>B</b>
VENDOR: N/A	P/N: N/A	INITIAL DATE DRAWN SJK 12/2/06	TITLE <b>ASSY, AIR VENT, BCS</b>
		CHECKED	SCALE: 1:1.5   SHEET 1 OF 1   SHEET SIZE: A
		APPROVED	
		U.O.M.	

NOTICE OF PROPRIETARY INFORMATION  
 THIS DOCUMENT SHALL NOT BE REPRODUCED NOR SHALL THE INFORMATION CONTAINED HEREIN BE USED BY OR DISCLOSED TO OTHER EXCEPT AS EXPRESSLY AUTHORIZED BY UNISEN

10 9 8 7 6 5 4 3 2 1

H NOTES:

REVISION HISTORY				
REV	DATE	DESCRIPTION	ECO	BY
A	07-02-08	PRODUCTION RELEASE	11946	AK



ITEM NO.	PART NUMBER	DESCRIPTION	QTY.
1	020-7287	DUCT, VENT, BCS, LCD	1
2	110-3168	SCREW, M4x12, PHM,PH, CS,ZI	2
3	718-1122	ASSY,BLOWER,12VDC	1

DOCUMENT STATUS:  
RELEASE

NOTICE OF PROPRIETARY INFORMATION

THIS DOCUMENT SHALL NOT BE REPRODUCED NOR SHALL THE INFORMATION CONTAINED HEREIN BE USED BY OR DISCLOSED TO OTHER EXCEPT AS EXPRESSLY AUTHORIZED BY UNISEN INC, D.B.A. STAR TRAC.

MATERIAL SEE BOM	UNLESS OTHERWISE SPECIFIED DIMENSIONS ARE IN INCHES. TOLERANCES ARE: DECIMALS                      ANGLES X.                      = ±.13 X.X                      = ±.05 X.XX                      = ±.03 X.XXX                      = ±.010
FINISH N/A	INITIAL                      DATE DRAWN                      FJM                      01-03-07 CHECKED APPROVED
VENDOR: <b>N/A</b>	P/N: <b>N/A</b>

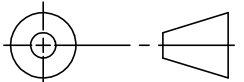
UNISEN, INC. DBA



14410 Myford Road  
Irvine CA 92606

STARTRAC PART NO <b>718-5170</b>	REV <b>A</b>
TITLE <b>ASSY, BLOWER, E-BTSe</b>	
SCALE: 1:3	SHEET 1 OF 1
SHEET SIZE: A	

THIRD ANGLE PROJECTION



10 9 8 7 6 5 4 3 2 1